



Weather Protective and Sound Attenuated Enclosures

D40 to D60
D80 to D100
D125 to D200

Features

Highly Corrosion Resistant construction

- tested and proven to withstand extreme conditions of corrosion
- Zinc plated or stainless steel fastener

Excellent Access

- Single side access for service and controls
- All non-service sides have removable doors and/or panels
-
- Lube oil and coolant drains piped to the exterior of the enclosure base
- Large cable entry area for installation ease
- Double doors on both sides
- Vertically hinged doors with solid bar door stays to hold doors in place when open

Security and Safety

- Lockable access doors which give full access to control panel and breaker
- Cooling fan and battery charging alternator fully guarded
-
- via lockable access
- Stub-up area is rodent proof

Transportability

- These enclosures are of extremely rugged construction to withstand outdoor exposure and rough handling common on many construction sites. The sound deadening material is of a self-extinguishing design
- This range of enclosures are designed on modular principles with many interchangeable components permitting on site repair

Options

- Weather Protective - constructed with 16 gauge steel; industrial silencer mounted within the main enclosure body
- Sound Attenuated Level 1 - constructed with 16 gauge steel; weather protective with critical silencer - silencer mounted in separate upward discharging radiator hood
- Sound Attenuated Level 2 - constructed with 16 gauge steel; weather protective with critical silencer and 100% lined with sound deadening material – silencer mounted in separate upward discharging radiator hood
- Sound Attenuated Aluminum constructed with 14 gauge Aluminum 5052 grade. Weather protective with critical silencer and 100% lined with sound deadening material – silencer mounted in separate upward discharging radiator hood
- Caterpillar Yellow* or white paint
- UL Listed sub base tanks
- Externally mounted emergency stop button
-
- codes: IBC 2000, IBC 2003, IBC 2006, IBC 2009, IBC 2012, CBC 2007, CBC 2010
-

*Not available with Aluminium enclosures

Enclosure Sound Pressure Levels (SPL) at 100%

Weather Protective Enclosure		Cooling Air Flow Rate		SPL @7m (23ft)
Model	Standby eKW	m³/s	cfm	dBA
D40 (2/4)	40	1.7	3602	85
D50 (2/4)	50	1.7	3602	86
D60 (2/4)	60	1.9	4026	88
D80-8	80	3.2	6696	79
D100-8	100	3.6	7564	81
D125-8	125	4.6	9676	78
D150-10	150	4.6	9676	79
D175-4	175	5.9	12431	84
D200-2	200	5.9	12431	89

SA Level 1 Enclosure		Cooling Air Flow Rate		SPL @7m (23ft)
Model	Standby eKW	m³/s	cfm	dBA
D40 (2/4)	40	1.7	3602	66
D50 (2/4)	50	1.7	3602	66
D60 (2/4)	60	1.8	3899	71
D80-8	80	3.2	6696	78
D100-8	100	3.2	6696	79
D125-8	125	4.2	8899	74
D150-10	150	4.2	8899	74
D175-4	175	5.6	11830	78
D200-2	200	5.5	11654	81

SA Level 2 Enclosure		Cooling Air Flow Rate		SPL @7m (23ft)
Model	Standby eKW	m³/s	cfm	dBA
D80-8	80	3.2	6696	75
D100-8	100	3.2	6696	76
D125-8	125	4.2	8899	74
D150-10	150	4.2	8899	74
D175-4	175	5.2	11018	74
D200-2	200	5.1	10806	75



SA Aluminum Enclosure		Cooling Air Flow Rate		SPL @7m (23ft)
Model	Standby eKW	m³/s	cfm	dBA
D80-2	80	3.2	6696	73
D100-8	100	3.2	6696	74
D125-8	125	4.2	8899	74
D150-10	150	4.2	8899	75
D175-4	175	5.2	11018	75
D200-2	200	5.1	10806	75

The sound pressure level data shown above is quoted as free field and is for guidance only. Actual levels produced may vary according to site conditions.

Enclosure Dimensions and Weights

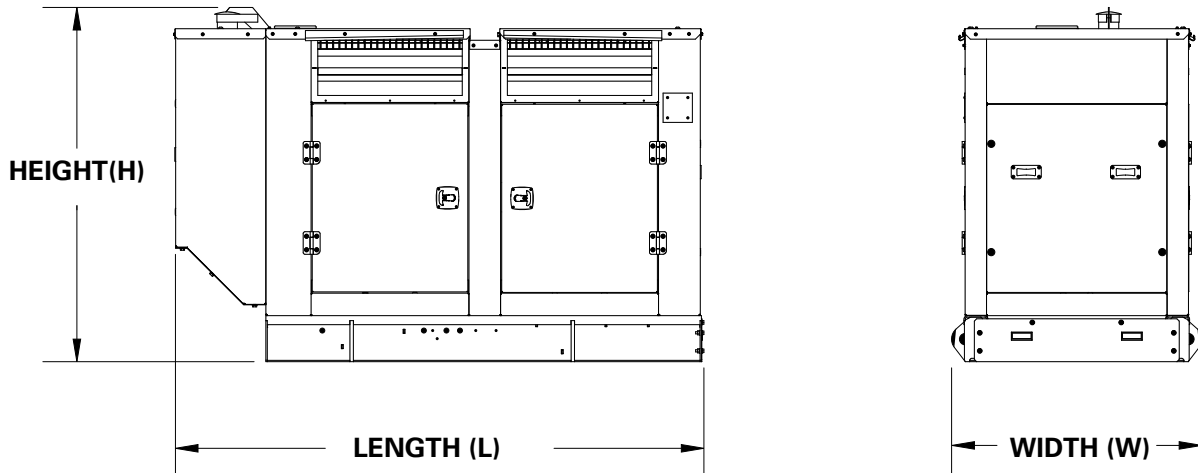


Image represents SA Level 1, SA Level 2 and SA Aluminum enclosures on skid base only

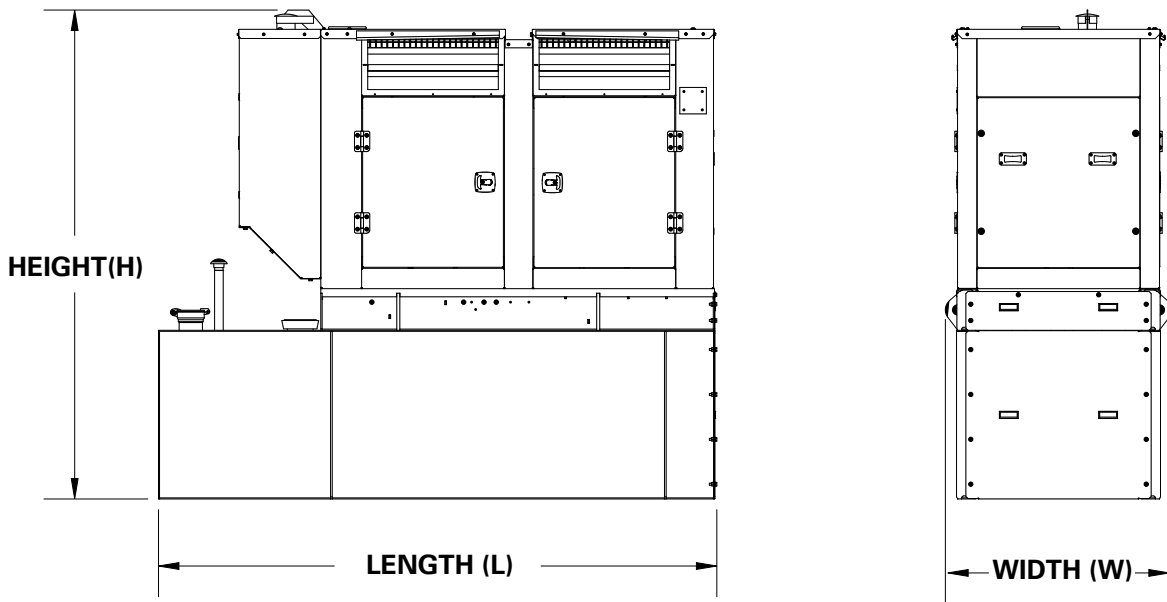


Image represents SA Level 1, SA Level 2 and SA Aluminum enclosures mounted on optional UL listed sub base tank

Model	Standby eKW	WP Industrial		SA Level 1		SA Level 2		SA Aluminum	
		kg	lb	kg	lb	kg	lb	kg	lb
D40-2	40	121	267	137	302	NA	NA	NA	NA
D50-2	50								
D60-2	60								
D80-8	80	263	580	313	690	321	708	142	312
D100-8	100								
D125-8	125								
D150-10	150	348	768	393	867	406	896	176	387
D175-4	175								
D200-2	200								

Enclosure weights (includes muffler)

Enclosure Dimensions Skid Bases

Engine Model	Generator Set Rating kW	Enclosure	Width 'W'		Length 'L'		Height 'H'	
			mm	in	mm	in	mm	in
C4.4	40	WP	1075	42.3	1972	77.6	1378	54.3
	50							
	60							
	40	SA Level 1, SA Level 2 and SA Aluminum	1075	42.3	1972	77.6	1378	54.3
	50							
	60							
C4.4	80	WP	1110	43.7	2523	99.3	1773	69.8
	100							
	80	SA Level 1, SA Level 2 and SA Aluminum	1110	43.7	2891	113.8	1852	72.9
	100							
C7.1	125	WP	1110	43.7	3204	126.1	1773	69.8
	150							
	175							
	200							
	125	SA Level 1, SA Level 2 and SA Aluminum	1110	43.7	3659	144.1	1852	72.9
	150							
	175							
	200							

Enclosure Dimensions on UL Listed Sub Base Tanks

Engine Model	Generator Set Rating kW	Enclosure	137 Gallon Sub Base Tank				255 Gallon Sub Base Tank			
			Length 'L'		Height 'H'		Length 'L'		Height 'H'	
			mm	in	mm	in	mm	in	mm	in
C4.4	40	WP	2503	98.5	1912	75.3	2503	98.5	2241	88.2
	50									
	60									
	40	SA Level 1, SA Level 2 and SA Aluminum	2503	98.5	1912	75.3	2503	98.5	2241	88.2
	50									
	60									

Engine Model	Generator Set Rating kW	Enclosure	209 Gallon Sub Base Tank				394 Gallon Sub Base Tank			
			Length 'L'		Height 'H'		Length 'L'		Height 'H'	
			mm	in	mm	in	mm	in	mm	in
C4.4	80	WP	3447	135.7	2258	88.9	3447	135.7	2608	102.7
	100									
	80	SA Level 1, SA Level 2 and SA Aluminum	3447	135.7	2337	92.0	3447	135.7	2687	105.8
	100									

Engine Model	Generator Set Rating kW	Enclosure	402 Gallon Sub Base Tank				777 Gallon Sub Base Tank			
			Length 'L'		Height 'H'		Length 'L'		Height 'H'	
			mm	in	mm	in	mm	in	mm	in
C7.1	125	WP	4035	158.9	2420	95.3	5035	198.2	2706	106.5
	150									
	175									
	200									
	125	SA Level 1, SA Level 2 and SA Aluminum	4035	158.9	2499	98.4	5035	198.2	2785	106.5
	150									
	175									
	200									

Note: Weight includes oil and coolant but not fuel

Ref: WPIA, WPIB, WPIC, SATCBA, SATCBB, SAT, CBC, SATFBA, SATFBB, SATFBC, ENCAL02, ENCAL03, ENCAL04.

www.Cat.com/electricpower

©2019 Caterpillar
All rights reserved.

Materials and specifications are subject to change without notice.
CAT, CATERPILLAR, their respective logos, "Caterpillar Yellow", the "Power Edge" trade dress as well as corporate and product identity used herein, are trademarks of Caterpillar and may not be used without permission.