

# Cat® C175-20

## Diesel Generator Sets



Image shown may not reflect actual configuration

Bore – mm (in)	175 (6.89)
Stroke – mm (in)	220 (8.66)
Displacement – L (in <sup>3</sup> )	105.8 (6456.31)
Compression Ratio	15.3:1
Aspiration	TA
Fuel System	Common Rail
Governor Type	ADEM™ A4

Standby 60 Hz ekW (kVA)	Mission Critical 60 Hz ekW (kVA)	Prime 60 Hz ekW (kVA)	Emissions Performance
3500 (4375)	3500 (4375)	3180 (3975)	U.S. EPA Certified for Emergency Stationary Applications (Tier 2)

## Features

### Cat® Diesel Engine

- Designed and tested to meet the U.S. EPA Emergency Stationary (Tier 2) emission standards
- Reliable performance proven in thousands of applications worldwide

### Generator Set Package

- Accepts 100% block load in one step and meets NFPA 110 loading requirements
- Conforms to ISO 8528-5 G3 load acceptance requirements
- Reliability verified through torsional vibration, fuel consumption, oil consumption, transient performance, and endurance testing

### Alternators

- Superior motor starting capability minimizes need for oversizing generator
- Designed to match performance and output characteristics of Cat diesel engines

### Cooling System

- Cooling systems available to operate in ambient temperatures up to 50°C (122°F)
- Tested to ensure proper generator set cooling

### EMCP 4 Control Panels

- User-friendly interface and navigation
- Scalable system to meet a wide range of installation requirements
- Expansion modules and site specific programming for specific customer requirements

### Warranty

- 24 months/1000-hour warranty for standby and mission critical ratings
- 12 months/unlimited hour warranty for prime and continuous ratings
- Extended service protection is available to provide extended coverage options

### Worldwide Product Support

- Cat dealers have over 1,800 dealer branch stores operating in 200 countries
- Your local Cat dealer provides extensive post-sale support, including maintenance and repair agreements

### Financing

- Caterpillar offers an array of financial products to help you succeed through financial service excellence
- Options include loans, finance lease, operating lease, working capital, and revolving line of credit
- Contact your local Cat dealer for availability in your region

## Standard and Optional Equipment

### Engine

#### Air Cleaner

- Single element

#### Muffler

- Industrial grade (15 dB)
- Residential grade (25 dB)
- Critical grade (35 dB)

#### Starting

- Standard batteries
- Oversized batteries
- Standard electric starter(s)
- Heavy duty electric starter(s)
- Dual electric starter(s)
- Air starter(s)
- Jacket water heater

### Alternator

#### Output voltage

- 416V     6600V
- 480V     6900V
- 600V     12470V
- 4160V    13200V
- 6300V    13800V

#### Temperature Rise (over 40°C ambient)

- 125°C/130°C
- 120°C
- 105°C
- 80°C

#### Winding type

- Form wound

#### Excitation

- Permanent magnet (PM)

#### Attachments

- Anti-condensation heater
- Stator and bearing temperature monitoring and protection

### Power Termination

#### Type

- Bus bar
- Circuit breaker
- 4000A     5000A
- 6000A
- UL         IEC
- 3-pole     4-pole
- Electrically operated

#### Trip Unit

- LSI         LSI-G
- LSIG-P

### Control System

#### Controller

- EMCP 4.2B
- EMCP 4.3
- EMCP 4.4

#### Attachments

- Local annunciator module
- Remote annunciator module
- Expansion I/O module
- Remote monitoring software

### Charging

- Battery charger – 20A
- Battery charger – 35A
- Battery charger – 50A

### Vibration Isolators

- Rubber
- Spring
- Seismic rated

### Cat Connect

#### Connectivity

- Ethernet
- Cellular

### Extended Service Options

#### Terms

- 2 year (prime)
- 3 year
- 5 year
- 10 year

#### Coverage

- Silver
- Gold
- Platinum
- Platinum Plus

### Ancillary Equipment

- Automatic transfer switch (ATS)
- Paralleling switchgear
- Paralleling controls

### Certifications

- IBC seismic certification
- OSHPD pre-approval

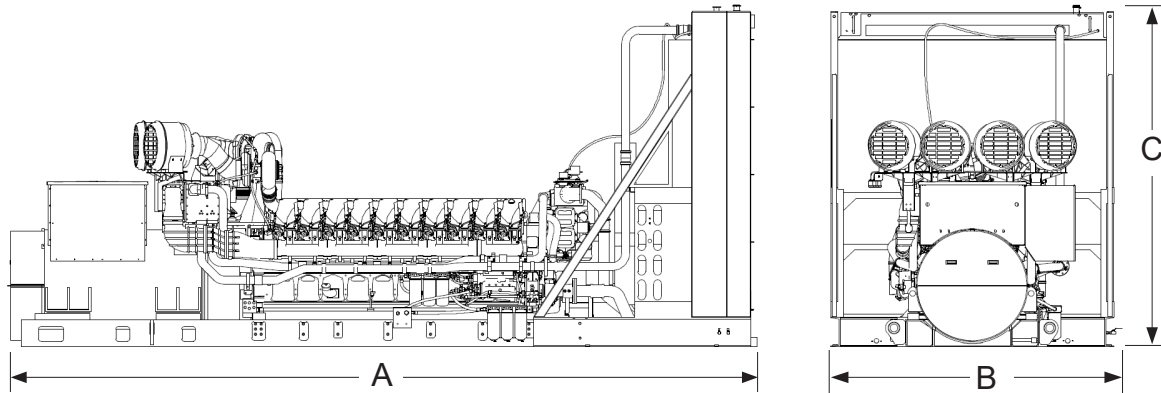
**Note:** Some options may not be available on all models. Certifications may not be available with all model configurations. Consult factory for availability.

## Package Performance

Performance	Standby		Mission Critical		Prime	
Frequency	60 Hz		60 Hz		60 Hz	
Gen set power rating with fan	3500 ekW		3500 ekW		3180 ekW	
Gen set power rating with fan @ 0.8 power factor	4375 kVA		4375 kVA		3975 kVA	
Emissions	EPA ESE (Tier 2)		EPA ESE (Tier 2)		EPA ESE (Tier 2)	
Performance number	EM5747-00		EM5749-00		EM5751-00	
<b>Fuel Consumption</b>						
100% load with fan – L/hr (gal/hr)	932.1	(246.2)	932.1	(246.2)	850.1	(224.6)
75% load with fan – L/hr (gal/hr)	721.4	(190.6)	721.4	(190.6)	680.1	(179.7)
50% load with fan – L/hr (gal/hr)	571.9	(151.1)	571.9	(151.1)	525.0	(138.7)
25% load with fan – L/hr (gal/hr)	349.6	(92.3)	349.6	(92.3)	323.2	(85.4)
<b>Cooling System</b>						
Radiator air flow restriction (system) – kPa (in. water)	0.12	(0.48)	0.12	(0.48)	0.12	(0.48)
Radiator air flow – m <sup>3</sup> /min (cfm)	3426	(120988)	3426	(120988)	3426	(120988)
Engine coolant capacity – L (gal)	440.0	(116.2)	440.0	(116.2)	440.0	(116.2)
Radiator coolant capacity – L (gal)	845.0	(223.2)	845.0	(223.2)	845.0	(223.2)
Total coolant capacity – L (gal)	1285	(339.5)	1285	(339.5)	1285	(339.5)
<b>Inlet Air</b>						
Combustion air inlet flow rate – m <sup>3</sup> /min (cfm)	311.7	(11006.6)	311.7	(11006.6)	291.6	(10298.0)
<b>Exhaust System</b>						
Exhaust stack gas temperature – °C (°F)	461.6	(862.8)	461.6	(862.8)	455.2	(851.4)
Exhaust gas flow rate – m <sup>3</sup> /min (cfm)	790.1	(27899.2)	790.1	(27899.2)	729.5	(25757.6)
Exhaust system backpressure (maximum allowable) – kPa (in. water)	6.7	(27.0)	6.7	(27.0)	6.7	(27.0)
<b>Heat Rejection</b>						
Heat rejection to jacket water – kW (Btu/min)	1884	(107135)	1884	(107135)	1676	(95336)
Heat rejection to exhaust (total) – kW (Btu/min)	3477	(197713)	3477	(197713)	3186	(181182)
Heat rejection to aftercooler – kW (Btu/min)	374	(21258)	374	(21258)	288	(16392)
Heat rejection to atmosphere from engine – kW (Btu/min)	197	(11211)	197	(11211)	189	(10735)
Heat rejection from alternator – kW (Btu/min)	188	(10697)	188	(10697)	171	(9725)
<b>Emissions* (Nominal)</b>						
NOx mg/Nm <sup>3</sup> (g/hp-h)	2943.4	(6.03)	2943.4	(6.03)	2729.6	(5.70)
CO mg/Nm <sup>3</sup> (g/hp-h)	142.1	(0.35)	142.1	(0.35)	185.5	(0.44)
HC mg/Nm <sup>3</sup> (g/hp-h)	16.2	(0.04)	16.2	(0.04)	16.9	(0.05)
PM mg/Nm <sup>3</sup> (g/hp-h)	15.5	(0.04)	15.5	(0.04)	16.7	(0.04)
<b>Emissions* (Potential Site Variation)</b>						
NOx mg/Nm <sup>3</sup> (g/hp-h)	3532.0	(7.23)	3532.0	(7.23)	3275.6	(6.84)
CO mg/Nm <sup>3</sup> (g/hp-h)	255.7	(0.63)	255.7	(0.63)	333.9	(0.79)
HC mg/Nm <sup>3</sup> (g/hp-h)	21.5	(0.06)	21.5	(0.06)	22.5	(0.06)
PM mg/Nm <sup>3</sup> (g/hp-h)	21.7	(0.06)	21.7	(0.06)	23.3	(0.06)

\*mg/Nm<sup>3</sup> levels are corrected to 5% O<sub>2</sub>. Contact your local Cat dealer for further information.

## Weights and Dimensions



Dim "A" mm (in)	Dim "B" mm (in)	Dim "C" mm (in)	Dry Weight kg (lb)
8409 (331.1)	3264 (128.5)	3828 (150.7)	29 870 (65,850)

**Note:** For reference only. Do not use for installation design. Contact your local Cat dealer for precise weights and dimensions.

## Ratings Definitions

### Standby

Output available with varying load for the duration of the interruption of the normal source power. Average power output is 70% of the standby rated ekW. Typical operation is 200 hours per year, with maximum expected usage of 500 hours per year.

### Mission Critical

Output available with varying load for the duration of the interruption of the normal source power. Average power output is 85% of the mission critical rated ekW. Typical peak demand up to 100% of rated power for up to 5% of the operating time. Typical operation is 200 hours per year, with maximum expected usage of 500 hours per year.

### Prime

Output available with varying load for an unlimited time. Average power output is 70% of the prime power rating. Typical peak demand is 100% of prime rated ekW with 10% overload capability for emergency use for a maximum of 1 hour in 12. Overload operation cannot exceed 25 hours per year.

### Applicable Codes and Standards

AS 1359, CSA C22.2 No. 100-04, UL 142, UL 489, UL 869, UL 2200, IBC, IEC 60034-1, ISO 3046, ISO 8528, NEMA MG1-22, NEMA MG1-33, 2014/35/EU, 2006/42/EC, 2014/30/EU and facilitates compliance to NFPA 37, NFPA 70, NFPA 99, NFPA 110.

**Note:** Codes may not be available in all model configurations. Please consult your local Cat dealer for availability.

### Data Center Applications

- ISO 8528-1 Data Center Power (DCP) compliant per DCP application of Cat diesel generator set prime power rating.
- All ratings Tier III/Tier IV compliant per Uptime Institute requirements.
- All ratings ANSI/TIA-942 compliant for Rated-1 through Rated-4 data centers.

### Fuel Rates

Fuel rates are based on fuel oil of 35° API [16°C (60°F)] gravity having an LHV of 42,780 kJ/kg (18,390 Btu/lb) when used at 15°C (59°F) and weighing 850 g/liter (7.0936 lbs/U.S. gal.)

[www.cat.com/electricpower](http://www.cat.com/electricpower)

©2021 Caterpillar

All rights reserved.

Materials and specifications are subject to change without notice. The International System of Units (SI) is used in this publication.

CAT, CATERPILLAR, LET'S DO THE WORK, their respective logos, "Caterpillar Corporate Yellow", the "Power Edge" and Cat "Modern Hex" trade dress as well as corporate and product identity used herein, are trademarks of Caterpillar and may not be used without permission.